

30 AUGUST 1990

(Supersedes L010-7360-201-20-4, 4 Feb. 66)

BAKERY PLANT, TRAILER-MOUNTED, M-1945: DOUGH MIXING AND MAKEUP OUTFIT (MONORAIL AND TRAILER CHASSIS)

REFERENCE: L010-7360-201-20-1,-2,-3,-5,-6. C9100-IL

Approved for public release; distribution is unlimited.

Intervals are based on normal operation. Reduce to compensate for abnormal operation and severe conditions. During inactive periods, sufficient lubrication must be performed for adequate preservation.

Clean fittings before lubricating

Clean parts with SD (Solvent, drycleaning).

Relubricate after washing or fording.

Dry before lubricating.

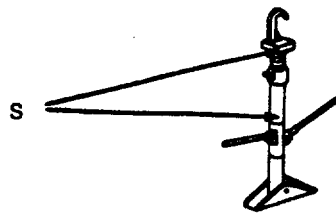
Broken arrow shafts indicate lubrication points on both sides of the equipment.

LUBRICANT - INTERVAL

Front Leveling-Support Jacks (See Note 3)

GAA

INTERVAL- LUBRICANT



Front (C-Type) Leveling-Support Jacks

Monorail Link Bushings (See Note 6)

GAA

Work Platform Support Hinges (See Note 2)

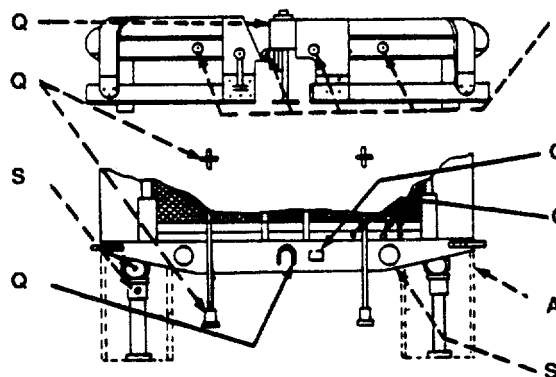
OE

Rear Leveling-Support Jacks (See Note 3)

GAA

Pintle (See Note 2)

OE



GAA

HBA

OE

GAA

GAA

GAA

Monorail Fittings (See Note 1)

Master Cylinder (See Note 5)

Work Platform Hinge (See Note 2)

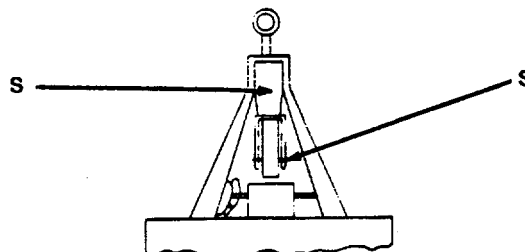
Wheel Bearings (Remove, Clean, and Pack)(See Note 3)

Spring Hangers and Brackets (See Note 3)

Caster Wheel Bearing Fitting (See Note 3)

Caster Wheel Swivel Fitting (See Note 3)

GAA



Chassis and Monorail

- KEY -

LUBRICANTS	EXPECTED TEMPERATURES	INTERVAL
	ALL TEMPERATURES	
OE - LUBRICATING OIL, Internal Combustion Engine	OE 30 OR 9250	W - Weekly M - Monthly Q - Quarterly S - Semi-annually A - Annually
GAA - GREASE, Automotive and Artillery	GAA	
HBA - BRAKE FLUID, Automotive	HBA	

NOTES:

1. MONORAIL FITTINGS. Quarterly grease sparingly with GAA: be sure grease does not drip into dough carriers.

2. OIL CAN POINTS. Quarterly clean and lightly lubricate work platform support hinges, work platform hinge, and pintle with OE.

3. LUBRICATE. Semiannually.

4. WHEEL BEARINGS. Annually remove, clean, and pack.

5. MASTER CYLINDER. Quarterly check fluid level, add fluid as required.

6. MONORAIL LINK BUSHINGS. Lubricate quarterly.

Copy of this Lubrication Order will remain with the equipment at all times; Instructions contained herein are mandatory.

By Order of the Secretary of the Army:

CARL E. VUONO
General, United States Army
Chief of Staff


Official:

THOMAS F. SIKORA
Brigadier General, United States Army
The Adjutant General

DISTRIBUTION:

To be distributed in accordance with DA Form 12-25E, (Qty rqr blk no. 4072).

RECOMMENDED CHANGES TO EQUIPMENT TECHNICAL PUBLICATIONS

 <div style="display: inline-block; vertical-align: middle; margin-left: 20px;"> <h2 style="text-align: center;">SOMETHING WRONG WITH PUBLICATION</h2> </div>				
FROM: (PRINT YOUR UNIT'S COMPLETE ADDRESS)				
DATE SENT				
PUBLICATION NUMBER		PUBLICATION DATE	PUBLICATION TITLE	
BE EXACT PIN-POINT WHERE IT IS				
PAGE NO.	PARA- GRAPH	FIGURE NO.	TABLE NO.	IN THIS SPACE, TELL WHAT IS WRONG AND WHAT SHOULD BE DONE ABOUT IT.
PRINTED NAME, GRADE OR TITLE AND TELEPHONE NUMBER			SIGN HERE	

